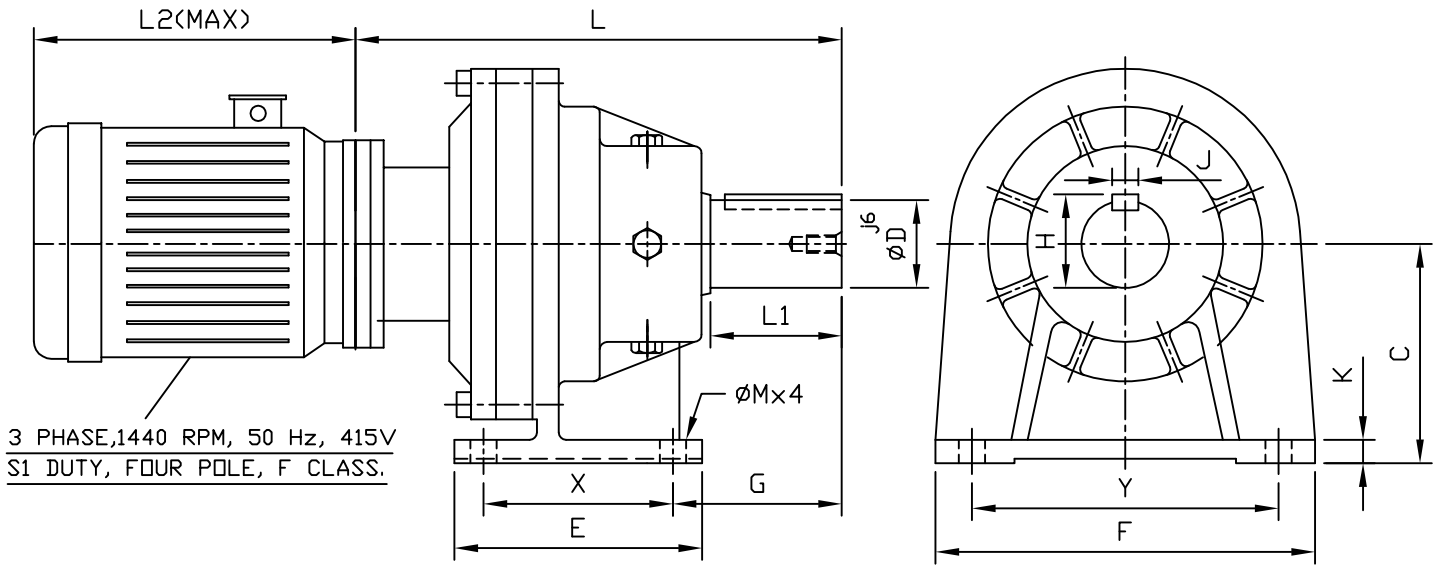


FOOT TYPE GEARED MOTOR (PLANETARY)



	MODEL	OUTPUT				MOUNTING								
		Dj6	L1	J	H	E	F	X	Y	G	K	C	M	L
SINGLE STAGE	1V01	14	25	5	16	60	85	40	65	38	7	60	7	90
	1V02	19	30	6	21.5	85	125	60	100	45	9	84	9	95
	1V03	28	45	8	31	110	150	80	120	62	10	102	12	120
	1V04	38	55	10	41	120	175	90	140	73	14	130	14	165
	1V05	50	75	14	53.5	145	210	110	170	100	14	130	14	356
	1V06	60	90	18	64	170	250	125	200	120	16	140	18	397
	1V07	70	100	20	74.5	190	290	140	240	130	18	165	18	425
	1V08	80	120	22	85.5	195	330	140	270	158	20	180	23	483
DOUBLE STAGE	2V01	14	25	5	16	60	85	40	65	38	7	60	7	105
	2V02	19	30	6	21.5	85	125	60	100	45	9	84	9	118
	2V03	28	45	8	31	110	150	80	120	62	10	102	12	152
	2V33	28	45	8	31	110	150	80	120	62	10	102	12	162
	2V04	38	55	10	41	120	175	90	140	73	14	130	14	203
	2V44	38	55	10	41	120	175	90	140	73	14	130	14	210
	2V05	50	75	14	53.5	145	210	110	170	100	14	130	14	258
	2V06	60	90	18	64	170	250	125	200	120	16	140	18	298
	2V07	70	100	20	74.5	190	290	140	240	130	18	165	18	485
2V08	80	120	22	85.5	195	330	140	270	158	20	180	23	545	
TRIPPLE STAGE	3V01	14	25	5	16	60	85	40	65	38	7	60	7	140
	3V02	19	30	6	21.5	85	125	60	100	45	9	84	9	145
	3V03	28	45	8	31	110	150	80	120	62	10	102	12	180
	3V33	28	45	8	31	110	150	80	120	62	10	102	12	198
	3V04	38	55	10	41	120	175	90	140	73	14	130	14	230
	3V44	38	55	10	41	120	175	90	140	73	14	130	14	236
	3V05	50	75	14	53.5	145	210	110	170	100	14	130	14	295
	3V06	60	90	18	64	170	250	125	200	120	16	140	18	335
	3V07	70	100	20	74.5	190	290	140	240	130	18	165	18	385
3V08	80	120	22	85.5	195	330	140	270	158	20	180	23	460	

MOTOR 1440 RPM		
F .S.	H.P.	L2
63	0.12/0.25	182
71	0.33/0.5	210
80	0.75/1	235
90	1.5/20	275
100	3/4	310
112	5	345
132	7.5/10	400
160	12.5/15/20	500

ALL DIMENSIONS ARE IN MM

DIMENSIONS ARE SUBJECT TO CHANGE WITHOUT PRIOR NOTICE.

DO NOT SCALE THE DRAWING

ALL DIMENSIONS ARE IN MM

VIJAY ENGINEERING WORKS
 DS2/3, ADDITIONAL MIDC, SATARA.
 TEL. NO. - 02162-240314
 MOBILE - 09881732219. 09823905356